

ARMORGARD EXPANDABLE SAFETY BARRICADE



Powder coated steel construction ensures it is highly durable, yet lightweight and portable

FEATURES

Brief Description

A Concertina Barrier for safely and visibly marking out working areas. Expands from 140mm out to 2520mm. Weighs only 8kg for easy transport. Ideal barrier solution for low-traffic or temporary situations.

Specifications

- Robust steel channel construction
- Unique 3-in-1 latching system enabling barrier to be daisy chained
- Latch holds barrier together when folded, presents a handle to make carrying easier and safer
- Material Thickness: 2mm



Multi-function latch can be used as a carry handle for ease of transport



Non-marking rubber feet protects barricade and the surface it is placed on



Unique 3-in-1 latching system enabling barrier to be daisy chained

DIMENSIONS

| Folded Height | Folded Width | Folded Depth |
|-----------------|----------------|----------------|
| 830mm | 140mm | 300mm |
| Extended Height | Extended Width | Extended Depth |
| 830mm | 2525mm | 300mm |



Red

RAL 3020



White

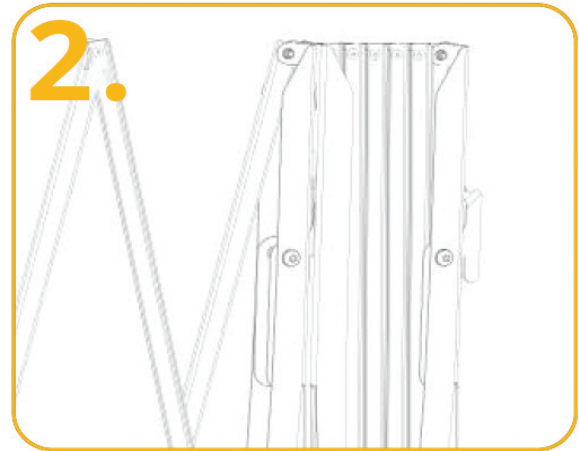
RAL 9003

INSTRUCTION SHEET

DAISY-CHAIN - PUTTING MULTIPLE BARRICADES TOGETHER



The carry handle is also used to connect multiple Barricades. Line up 2x Barricades with the handles pointing in one direction, lift the end with no handle over the handle of the other Barricade.

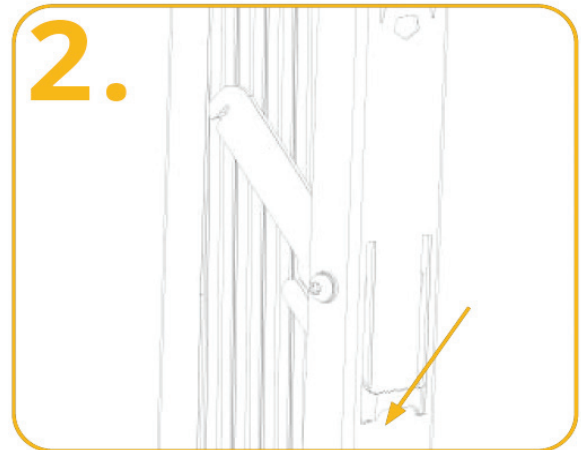


The Barricades will drop into place, forming a link that is robust enough to enable multiple connected Barricades to act as one.

USING THE BARRICADE - INSTRUCTIONS



The Barricade has a latch that also functions as a carry handle when the barricade is retracted and latched.



To latch or unlatch the Barricade, simply press the handle down, which then releases the catch.



The Barricade can then be extended.